

REVOLT

A BRAND OF MASTER MANUFACTURING

INSTRUCTIONS FOR ASSEMBLY, OPERATION, SERVICING & STORAGE

RECHARGEABLE MASTER GARDENER



800.825.5397

www.MASTER-MFG.com

SPRAYER: PCD-E3-009B-MM

TABLE OF CONTENTS

SPRAYER COMPONENTS	4
SPRAYER ASSEMBLY	6
IMPORTANT SAFETY	12
GENERAL CHEMICAL	13
BEFORE SPRAYING	14
DURING SPRAYING	14
AFTER SPRAYING	15
OPERATION - PREPARING	15
PREPARING SPRAYER	16
USING SPRAYER	17
SPOT SPRAYING	17
BROADCAST SPRAYING	17
OPERATION - CLEANING.....	18
TROUBLESHOOTING	20
TROUBLESHOOTING TABLE	20
SPRAYER BREAKDOWN	21

INTRODUCTION

Congratulations on the purchase of your Revolt Master Gardener. This sprayer has been manufactured to provide years of dependable and efficient use in spraying a wide range of agricultural pesticides, herbicides and other non-flammable liquids.

IMPORTANT NOTE:

THE PURPOSE OF THIS MANUAL IS TO ASSIST YOU IN THE ASSEMBLY, OPERATION, SERVICING AND STORAGE OF YOUR SPRAYER. PLEASE READ THROUGH THIS MANUAL COMPLETELY TO FULLY UNDERSTAND HOW TO OPERATE AND MAINTAIN YOUR EQUIPMENT. KEEP YOUR MANUAL IN A SAFE, CONVENIENT PLACE FOR FUTURE REFERENCE. ALWAYS MENTION THE MODEL AND PART NUMBER IN ANY CORRESPONDENCE.

WARRANTY

Sprayers sold shall be warranted from defects in workmanship and material when used within the service and scope for which they were designed for a period of two years from date of purchase. Warranty covers replacement parts ONLY.

Contact our Spraying Division for warranty parts at 800.825.5397. DO NOT RETURN PRODUCT TO YOUR DISTRIBUTOR/DEALER. Please have original proof of purchase, model number of sprayer and part number of part from illustrated parts breakdown in this manual.

PRODUCT INFORMATION

When contacting us for replacement parts, accessories or warranty work, please be sure to have the following information available...

Date of Purchase: _____

Place of Purchase: _____

Model# of Sprayer: _____

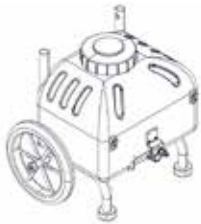
TOOLS REQUIRED



PHILLIPS SCREWDRIVER

INCLUDED HARDWARE

SPRAYER COMPONENTS



Sprayer Base Assembly (1)



Spray Gun Lance (1)
SG-4200-18



Screws (2)
33-100137



Handle Adjustment
Knob & Bolt (2)
33-100157



Sprayer Handle (1)



Washers (2)

**IMPORTANT NOTE:
THE REVOLT BATTERY PACK IS NOT CHARGED PRIOR TO SHIPPING. IT WILL REQUIRE APPROXIMATELY FOUR HOURS TO FULLY CHARGE WITH THE INCLUDED REVOLT BATTERY CHARGER.**



Trailer Tongue (1)



Hitch Pin (1)
33-100156



Cotter Pin (1)



Revolt Battery Pack (1)
REVOLT-144-B-CSK



Battery Charger (1)
33-100518



Wire Harness Holder (1)

1.

PARTS



TOOLS

None



NOTE: The Revolt Series Battery Pack is not charged out of the carton and requires four hours to fully charge.

Connect Battery Charger to the open hole on top of Revolt Battery Pack.

Plug the Battery Charger into an appropriate outlet.

Charging Revolt Battery Pack

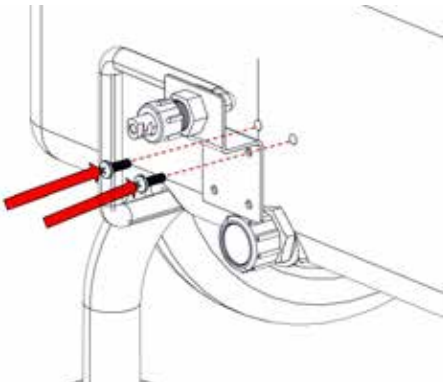


2.

PARTS



TOOLS

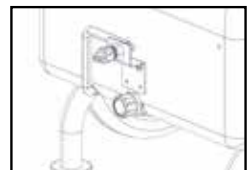


NOTE: Confirm that the Deflector Nozzle orifice is facing down. If not, unthread nozzle nut to allow for adjusting nozzle. Tighten nozzle nut.

Insert screws and washers through the top open holes in the Nozzle Assembly steel plate.

Use Phillips Screwdriver to attach the Nozzle Assembly onto the front of Sprayer Base Assembly. Tighten securely.

Installs Broadcast Nozzle

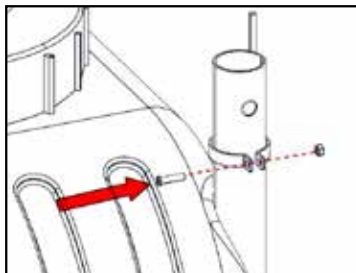
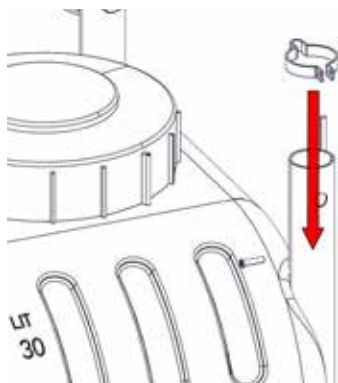


3.

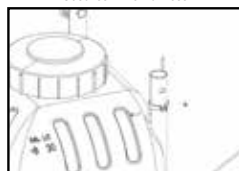
PARTS



TOOLS



Secures Wire Harness

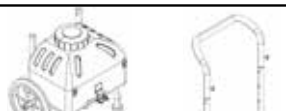


Insert loose wire harness through the Wire Harness Holder. Slip Wire Harness Holder over tube frame of Sprayer Base Assembly.

Use Phillips Screwdriver to attach Wire Harness Holder to Sprayer Base Assembly with included screw and nut.

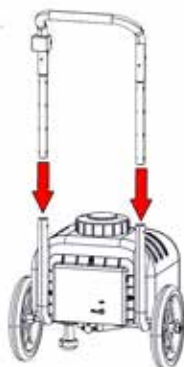
4.

PARTS



TOOLS

None



Installs Sprayer Handle on Sprayer

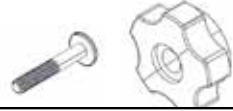


Insert the Sprayer Handle into the Sprayer Base Assembly.

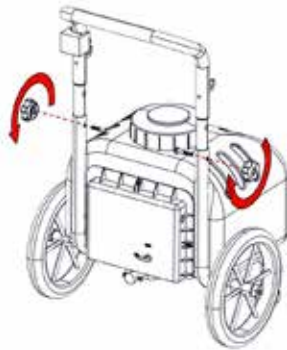
Make sure the Sprayer Handle is slipped through the wire clamp that is attached to Sprayer Base Assembly.

5.

PARTS



TOOLS



Secures Sprayer Handle to Sprayer

Secure Sprayer Handle to the Sprayer with Handle Adjustment Knobs & Bolts. Tighten securely.

Use Phillips Screwdriver to tighten screw that is on the Wire Clamp to secure wiring to frame.

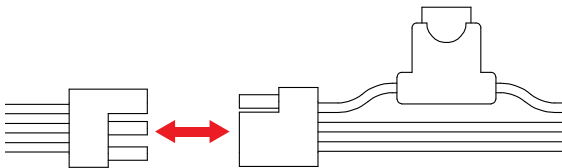


6.

PARTS

TOOLS

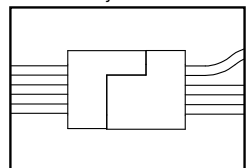
None



Connects Battery Dock to Power Switch

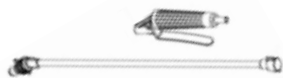
Locate the Wiring Harness Connectors at base of the Sprayer Handle and exiting the back panel of the Sprayer.

Connect Wiring Harness Connectors. Ensure they are fully seated.



7.

PARTS



TOOLS

None



NOTE: Screw hand tight to ensure there will be no leaks when operating.

Thread Spray Gun Nozzle onto the end of the Spray Gun Shaft.

Connects Spray Gun Shaft to Handle



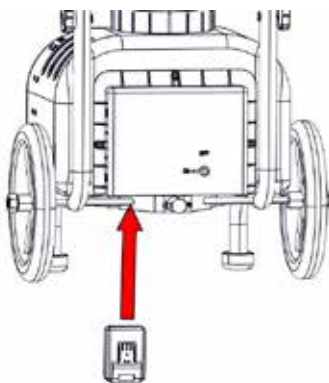
8.

PARTS



TOOLS

None



NOTE: Remove from compartment by pressing the release button on the Battery Pack.

Insert the Revolt Battery Pack into the open dock that is situated at the bottom of the back panel of Sprayer.

A click will be heard when properly attached.

Installs Revolt Battery Pack in Dock

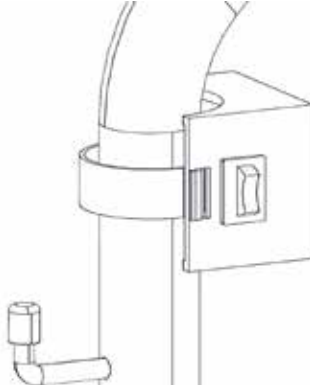


9.

PARTS

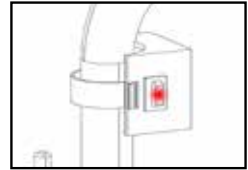
TOOLS

None



NOTE: The Power Switch will light up on the ON position. If it doesn't, the Battery Pack will need to be fully charged.

Turns On Power to Sprayer



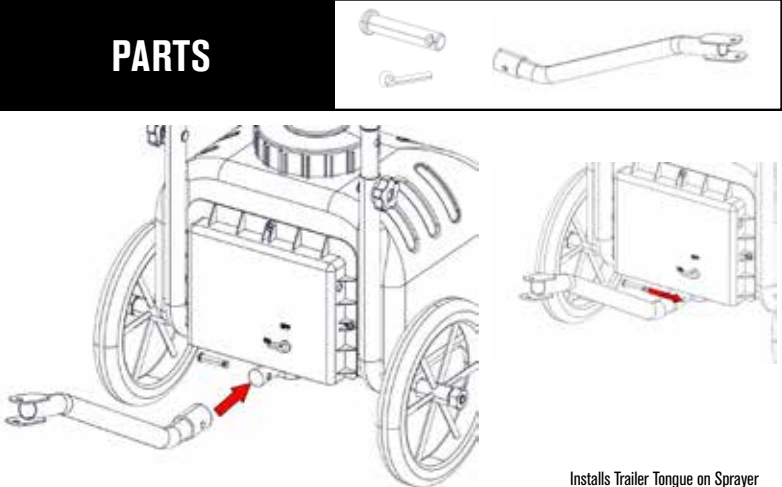
When ready for spraying, flip the Power Switch on that is located on the Sprayer Handle.

10.

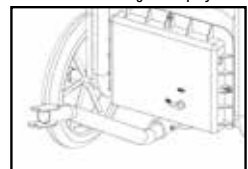
PARTS

TOOLS

None



Installs Trailer Tongue on Sprayer



Attach Trailer Tongue to the back-end of Sprayer and align holes between both items.

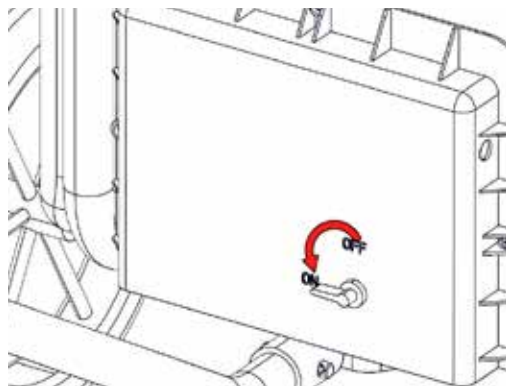
Insert Hitch Pin into open holes to secure Trailer Tongue. Add Cotter Pin into open hole of Hitch Pin to secure Hitch Pin.

11.

PARTS

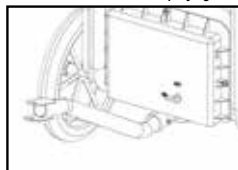
TOOLS

None



To convert over to broadcast spraying, turn the Back Panel Valve Switch from Off to On.

Allows for Broadcast Spraying



SAVE THESE INSTRUCTIONS



WARNING

Read and understand all instructions. Failure to follow all instructions listed below, may result in electric shock, fire and/or serious personal injury.

- **Before Using The Battery Pack & Charger:** Read this operator's manual and all labels on the battery pack.
- **Caution:** To reduce risk of injury, **ONLY CHARGE REVOLT BATTERY PACK WITH REVOLT SERIES CHARGERS.** Other types of batteries may burst causing personal injury and damage. Do not wire a battery pack to a power supply plug or the DC outlet of a vehicle. Batteries will be permanently disabled or damaged.
- **Avoid Dangerous Environments:** Do not charge battery pack in rain, snow, damp or wet locations. Do not use battery pack or charger in the presence of explosive atmosphere (gaseous fumes, dust or flammable materials) because sparks may be generated when inserting or removing battery pack, possibly causing a fire.
- **Charge In A Well Ventilated Area:** Do not allow smoking or open flames near charging battery pack. Vented gases may explode.
- **Do Not Burn Or Incinerate Battery Packs:** Battery packs may explode, causing personal injury or damage. Toxic fumes and materials are created when battery pack burns.
- **Do Not Crush, Drop or Damage:** Do not use a battery pack or charger that has received a sharp blow, been dropped, run over, or damaged in any way.
- **Do Not Disassemble:** Incorrect reassembly may result in the risk of electric shock, fire or exposure to battery chemicals.
- **Battery Chemicals Cause Serious Burns:** Never allow contact with skin, eyes or mouth. If a damaged battery pack leaks battery chemicals, use rubber or neoprene gloves to dispose of it. If skin is exposed to battery fluids, wash with soap and water, and rinse with vinegar. If eyes are exposed to battery chemicals, immediately flush with water for 20 minutes and seek medical attention. Remove and dispose of contaminated clothing.
- **Do Not Short Circuit:** A short circuited battery pack may cause a fire, personal injury, and product damage. A batter pack will short circuit if a metal object makes a connection between the positive and negative contact on a battery pack. Do not place a battery pack near anything that may cause a short circuit such as coins, keys or nails in your pocket.
- **Disposing of Revolt Battery Packs:** Lithium-Ion Batteries need to be disposed of according to federal, state and local regulations. Contact a recycling agency in your area for recycling locations. Even discharged battery packs contain some energy. Before disposing, use electrical tape to cover the terminals to prevent the battery pack from shorting, which could cause a fire or explosion.

OPERATION - IMPORTANT SAFETY INFORMATION

Now that you have assembled your sprayer, there is some important safety and health information you need to know with regard to handling and spraying chemicals.



TAKE NOTE! THIS SAFETY ALERT SYMBOL FOUND THROUGHOUT THIS SECTION IS USED TO CALL YOUR ATTENTION TO INSTRUCTIONS INVOLVING YOUR PERSONAL SAFETY AND THE SAFETY OF OTHERS. FAILURE TO FOLLOW THESE INSTRUCTIONS CAN RESULT IN PROPERTY DAMAGE, INJURY OR DEATH.

NOTE: THE USE OF CORROSIVE OR FLAMMABLE CHEMICALS IN THIS SPRAYER IS HAZARDOUS AND WILL ALSO VOID YOUR WARRANTY.

GENERAL CHEMICAL SAFETY



WARNING

Pesticides are hazardous chemicals. Heed the warning below and follow all instructions carefully. Improper handling of chemicals can result in serious injury or illness, or cause damage to humans, animals or the general environment.

BEFORE SPRAYING

- **Test with Fresh Water:** Before adding and spraying chemicals, always test sprayer with fresh water to make sure there are no cracks or leaks and equipment is performing correctly.
- **Sprayer Prep:** ALWAYS inspect and prepare the sprayer before use according to the directions provided in this manual.
- **Keep Sprayer Off:** Do not turn power on to the sprayer until ready to spray in order to avoid unintentional spray release.
- **Broadcast Nozzle Down:** Make sure the broadcast nozzle is oriented to spray straight down before starting the sprayer.
- **Wind Speed:** NEVER spray when wind exceeds 4 MPH in order to minimize spray drift.
- **Clear Area:** ALWAYS keep work area clear of people and pets. Post warning notices to restrict access by the public for the period recommended on chemical label.
- **Operator Age:** To operate this sprayer, you must be 16 years of age or older. Pesticides are extremely toxic to children.
- **Chemical Label:** ALWAYS READ and FOLLOW all chemical label instructions.
- **State & Federal Laws:** ALWAYS refer to state and federal regulations with regard to the application of a particular chemical you plan to use.
- **Flammables:** NEVER use any flammable chemicals, such as diesel fuel, in the sprayer.
- **Corrosives:** DO NOT use corrosive chemicals, such as bleach, in the sprayer. They can weaken the sprayer and its parts, resulting in leaks. Always check with chemical manufacturer for compatibility with sprayer.
- **Emergency Procedures:** Before handling chemicals, carefully review the “Statement of Practical Treatment” on the chemical label.

DURING SPRAYING

- **Over Application:** DO NOT over apply pesticide. Apply at a rate recommended by chemical manufacturer. Excess pesticide can be dangerous to humans, damage desirable plants, and contaminate soil and water sources.
- **Never Point Spray Gun:** NEVER point the spray gun at people or animals.
- **Children & Pets:** ALWAYS exercise extra caution when spraying near areas accessible to children and pets.
- **Eating & Smoking:** DO NOT eat, drink, smoke, rub your eyes or touch any part of your bare skin while handling chemicals and spraying.
- **Heat & Flames:** DO NOT spray near open flames or sources of heat.
- **Spills:** ALWAYS clean up spills immediately per instructions on the chemical label.
- **Unattended:** ALWAYS turn off vehicle and set brake or block wheels, turn off power to sprayer, and relieve system pressure before leaving sprayer unattended.

AFTER SPRAYING

- **Clean Sprayer:** ALWAYS clean the sprayer immediately after use according to the directions provided in this manual.
- **Decontaminate:** ALWAYS decontaminate yourself immediately after you are finished with spraying and handling chemicals. Wash all exposed areas of the body with soap and water. Remove and launder clothing.
- **Chemical Disposal & Storage:** ALWAYS dispose or store remaining chemicals properly as recommended on the chemical label.
- **Health Monitoring:** Monitor the health of operators who are frequently exposed to pesticides, as recommended by the chemical label.



WARNING

Chemical spills, sprayer leaks, personal contamination, and poisoning are accident situations which you may encounter. All require an immediate response. In the event these accidents take place, follow first aid instructions on the chemical label and contact poison control for further advice (1-800-222-1222). If victim collapses or isn't breathing CALL 911.

OPERATION - PREPARING & USING SPRAYER

If the sprayer has been used previously, it must be prepared BEFORE EACH SUBSEQUENT USE.



WARNING

Read the following instructions carefully for inspecting and using the sprayer. Damaged or clogged equipment could result in leaks or uncontrolled spray. Leaks could result in injury to the operator or bystanders from chemical exposure, or cause damage to the environment.

IMPORTANT NOTE:
THIS SPRAYER IS NOT CERTIFIED FOR USE IN DISPENSING POTABLE WATER OR OTHER CONSUMABLE LIQUIDS.

PREPARING SPRAYER

- **Review Safety Information:** Review safety information in this manual and manufacturer chemical label before use.
- **Sprayer Attachment:** Ensure the sprayer is securely attached to a vehicle if using trailer hitch for spraying.
- **Empty Tank:** Ensure the sprayer has been thoroughly flushed and drained of all residual chemical prior to uses.
- **Inspect & Test:** Inspect the tank and components for any cracks or leaks. Replace any damaged parts. **IMPORTANT:** After any repair, **ALWAYS** test for leaks with water one final time before use.
- **Check Drain Cap:** Before filling tank, ensure drain cap at bottom of tank is securely tightened.

USING SPRAYER

- **Protective Equipment:** **ALWAYS** wear protective equipment as directed on the chemical label.
- **Assess Wind & Area Conditions:** Before spraying, determine if wind conditions are suitable. **DO NOT** spray if wind speeds are greater than 4 MPH. **DO NOT** spray if bystanders are in the intended area and verify that area is in a well-ventilated outdoor area.
- **Power Off:** Before filling tank, make sure power to the sprayer and the vehicle is off and brakes are set to prevent unintended movement.
- **Filling Tank:** Remove sprayer tank lid and add chemical/water dilution ratios that are called out by chemical label. Ensure chemical is thoroughly mixed with a stirring device and then securely thread tank lid back on sprayer tank.

USING SPRAYER (CONTINUED)

- **Broadcast Valve Switch:** Close broadcast valve switch to prevent accidental spray release.
- **Turn On Power:** Flip on power switch that is located on the sprayer handle.

SPOT SPRAYING

- **Spot Spraying:** To spot spray, pull the gun trigger. Make sure nozzle of gun is pointed towards vegetation in need of spraying.
- **Adjustable Nozzle:** Twist the spray nozzle to adjust from a straight stream to wide pattern mist.

Note: It is not unusual for the operator to be exposed to chemical drips while adjusting the nozzle – use chemical resistant gloves when twisting.

BROADCAST SPRAYING

- **Broadcast Valve Switch:** Open broadcast valve switch to allow flow from tank to boom nozzle.
- **Ensure Correct Pattern:** Make sure boom nozzle is pointed straight down. If not, loosen the nozzle retaining nut and adjust orientation of the boom nozzle opening to point straight down.
Note: It is not unusual for the operator to be exposed to chemical drips while adjusting the broadcast nozzle. Chemical resistant gloves should be worn.
- **Turn On Power:** Flip on power switch that is located on the sprayer handle.

OPERATION - CLEANING, DECONTAMINATING & STORAGE

When done using the sprayer, it is always important to clean the sprayer and decontaminate yourself. Do not store the sprayer with chemicals in the tank, as it is unsafe and could also result in damage.



WARNING

Clean-up and decontamination procedures must be followed after each use.

Improper equipment clean-up and disposal of chemicals can result in dangerous chemical exposure to humans and the environment, as well as equipment damage.

Personal decontamination is required after spraying to minimize unsafe exposure to chemicals and potential illness.

CLEANING & DECONTAMINATING SPRAYER

- **Drain Tank:** If there is excess pesticide left in tank, drain into a suitable container.
Note: when draining pesticides, be sure to wear protective gear such as rubber gloves and eye protection for increased safety.
- **Unused Chemical:** Properly store or dispose of unused chemical in its original, suitable container and make sure to follow chemical manufacturer's recommendations and according to local hazardous waste disposal regulations.
- **Flush Sprayer:** Flush sprayer per the chemical manufacturer's recommendations.
- **Decontaminate & Launder:** Decontaminate yourself after handling chemicals by removing clothing worn, washing exposed body parts with soap and water, and laundering clothing separately from other wash.

SPRAYER STORAGE

Prepare the sprayer for end-of-season storage by running RV anti-freeze through the system. This will keep internal parts lubricated, protect against corrosion, and keep the unit from freezing.

**IMPORTANT NOTE:
ALLOWING YOUR SPRAYER TO FREEZE, WITHOUT TAKING
PROPER WINTERIZATION STEPS, VOIDS YOUR WARRANTY.**



WARNING

The sprayer will be damaged if it freezes.
Protect the sprayer from freezing during storage by following instructions below.

PREPARING SPRAYER FOR STORAGE

- **Add RV Anti-Freeze:** Pour one gallon of RV anti-freeze into the sprayer tank.
- **Spray Briefly:** Turn on the pump motor and squeeze the gun trigger briefly until fluid sprays out.

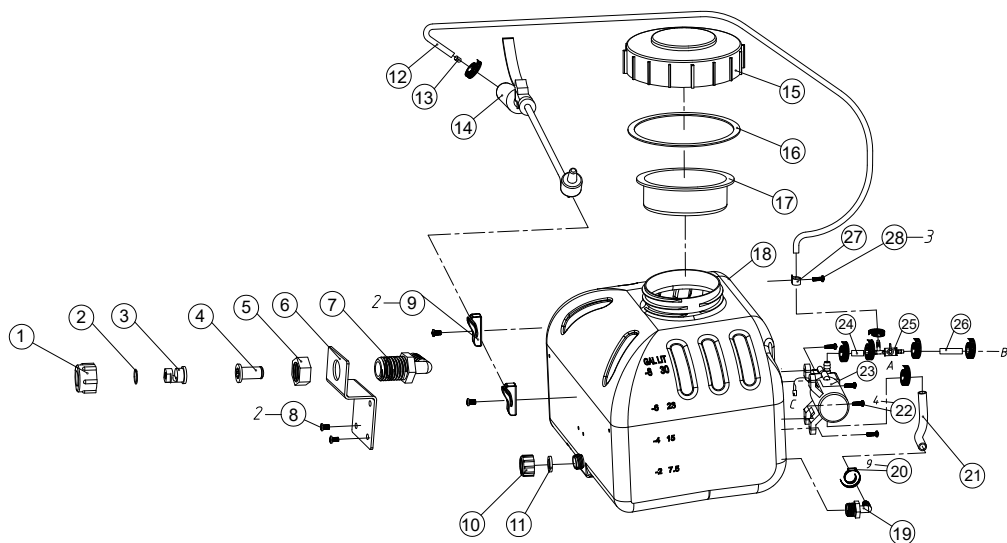
REMOVING SPRAYER FROM STORAGE

- **Drain RV Anti-Freeze:** Drain the RV anti-freeze that is left in the tank through the tank drain port into a suitable container.
- **Flush with Water:** Fill tank with fresh water and have it run through system. Operate spray gun and boom until the system is completely flushed. Be sure to set up containers to capture the flushing of the RV anti-freeze.
- **Disposal:** Dispose of RV anti-freeze and flush water properly.

Here you will find solutions for some of the most common issues users have with sprayers.

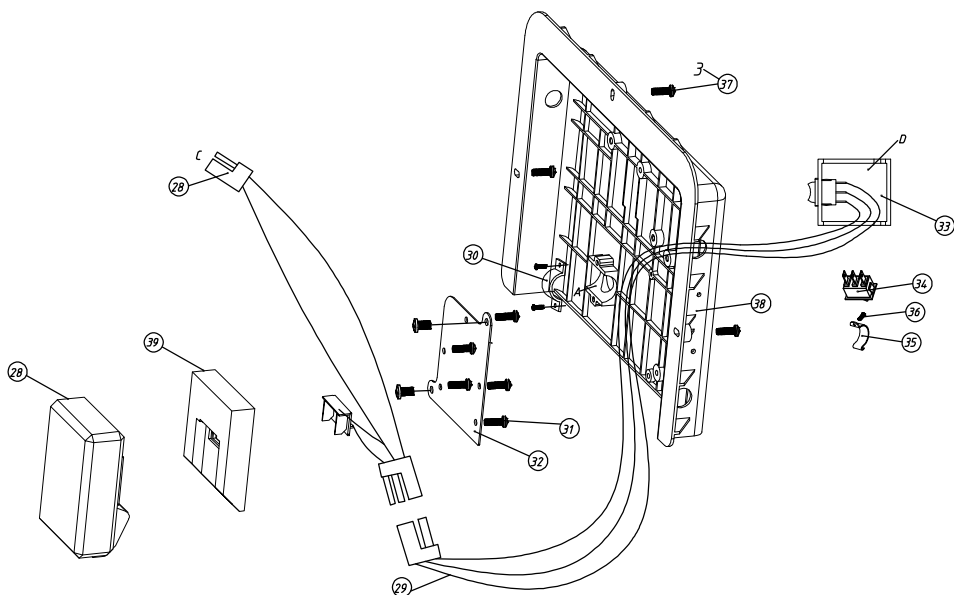
PROBLEM	CAUSE	SOLUTION
Pump Will Not Prime	Out of Product	Refill Supply Container
Pump Will Not Turn On	Battery Not Connected	Check Battery Connection
	Low Voltage	Check Voltage
	Fuse Blown	Replace Fuse
Low Pressure or Flow	Worn Spray Gun Nozzle	Replace Spray Gun
	Worn Boom Nozzle	Replace Boom Nozzle
	Inlet Air Leak	Tighten Fittings or Replace Cracked Fittings
	Low Voltage	Check Voltage
Pump Leaks	Loose Fasteners	Tighten Fasteners
	Pump Seals Degraded	Replace Pump
Poor Spray Distribution	Worn Spray Gun Nozzle	Replace Spray Gun
Pump Cycles While Not Spraying	Leak In The System	Tighten Leaking Hose Clamps, Fittings or Replace Spray Gun
	Low Voltage	Check Voltage
	Air Trapped In System	Purge Air From System
Battery Pack Won't Charge	Battery Not Connected To Charger	Connect Battery Pack To Charger Until Red LED Appears
	Charger Not Plugged In	Plug Charger Into Working Outlet
	Surrounding Air Temperature Too Hot or Cold	Move Charger & Battery Pack To Air Temperature of 40 Deg or Below 105 Deg
	Bad Charger	Replace Charger
Sprayer Won't Start	Battery Pack Not Installed Properly	Check Battery Pack Installation
	Battery Pack Not Charged	Charge Battery Pack with Charger Until LED Light Is Green
Power Switch Not Lighting Up	Battery Pack Not Installed Properly	Check Battery Pack Installation
	Battery Pack Not Charged	Charge Battery Pack with Charger Until LED Light Is Green
	Battery Dock Not Working	Check To See If Battery Pack Is Fully Charged & Connect. If Not Working, Issue Is With Dock.
	Bad Charger	Replace Charger
Pump Cycles While Not Spraying	Leak In The System	Tighten Leaking Hose Clamps, Fittings or Replace Spray Gun
	Low Voltage	Check Voltage
	Air Trapped In System	Purge Air From System
Rough Operation	Flexible Mounting Surface	Mount Pump On Rigid Surface
	Loose Pump Head	Tighten Fasteners
	Compressed Base Feet	Decompress Base Feet
	Rigid Plumbing	Plumb Pump with Flexible Plumbing

BREAKDOWN - TANK ASSEMBLY



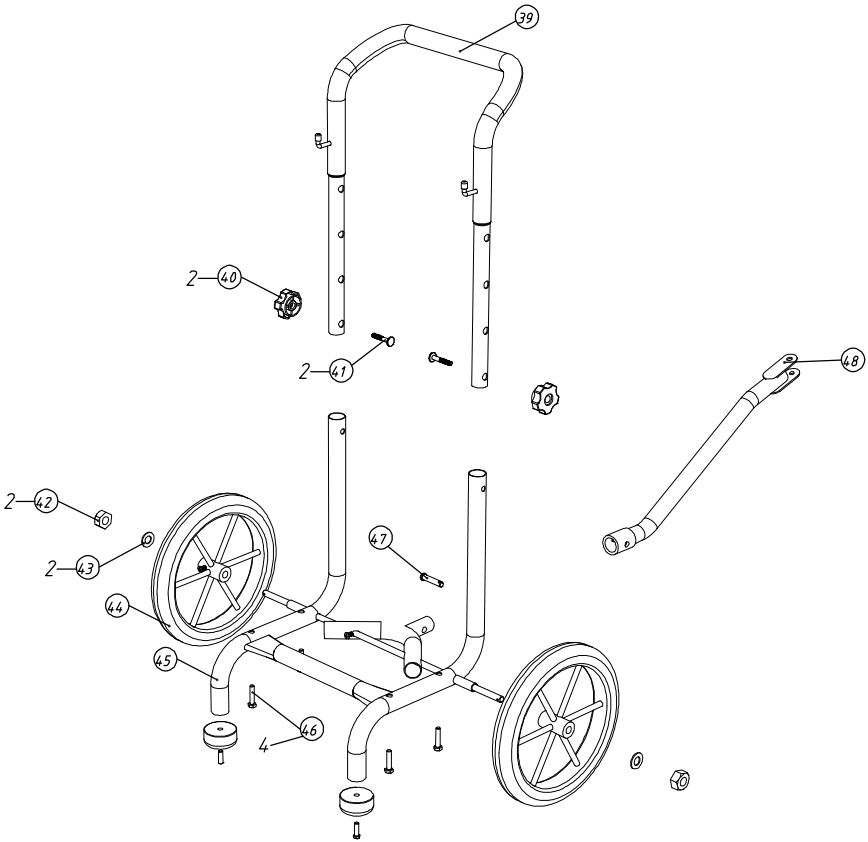
ID	PART #	DESCRIPTION	QTY	Aftermarket Part #
1	8027	Nozzle Nut - 11/16"	1	8027-CSK
2	33-100176	NBR O-Ring	1	N/A
3	DF3.0	Deflector Nozzle - Gray	1	DF3.0-CSK
4	NS-50	Nozzle Strainer - 50 Mesh	1	NS-50-CSK
5	B12	Nozzle Body Nut - 11/16"	1	N/A
6	31-100249	Nozzle Bracket	1	N/A
7	NTL38-C	Elbow Nozzle Body - 11/16" MPS x 3/8" HB	1	34-140025-CSK
8	33-100137	Groove Screw - 1/2"	2	N/A
9	GC-100-KIT	Gun Clip Kit	1	34-140029-CSK
10	3N34	Garden Hose Cap - 3/4" FGHT	1	N/A
11	33-103220	Gasket - 3/4"	1	N/A
12	N/A	Nylon Hose	1	N/A
13	N/A	Hose Connection	1	N/A
14	SG-4200-18	Adjustable Spray Gun	1	SG-4200-18
15	TL-6B	Tank Lid - 6"	1	TL-6B-BC
16	TL6B-GAS	Tank Lid Gasket - 6"	1	N/A
17	TLS-5D	Tank Lid Strainer - 5 "	1	TLD-5D-CSK
18	33-103197	9 Gallon Tank	1	N/A
19	EL1238	Elbow Nozzle Body - 11/16" MPS x 3/8" HB	1	EL1238-CSK
20	350-004	Worm Gear Hose Clamps - 5/16"	9	N/A
21	N/A	Braided Hose - 3/8"	1	N/A
22	33-103126	Screws - 5/8"	1	N/A
23	EF1000	Everflo 1.0GPM Diaphragm Pump	1	EF1000-BOX
24	N/A	Braided Hose - 3/8"	1	N/A
25	PBV-3814HB-EL	Hose Barb Valve Elbow - 3/8" x 1/4"	1	N/A
26	N/A	Braided Hose - 3/8"	1	N/A
27	N/A	Clamp	1	N/A
28	N/A	Screw	1	N/A

BREAKDOWN - POWER ASSEMBLY



ID	PART #	DESCRIPTION	QTY	Aftermarket Part #
28	REVOLT-144-B-CSK	Revolt Battery	1	REVOLT-144-B-CSK
29	33-100203	Wiring	1	N/A
30	N/A	Metal Clip	1	N/A
31	N/A	Self-Tapping Screws	7	N/A
32		Base Plate	1	N/A
33	33-100200	Switch Bracket	1	N/A
34	33-103196	Type Switch - LED	1	N/A
35	N/A	Button Card Holder	1	N/A
36	N/A	Teeth Tapping Screw	1	N/A
37	N/A	Head Screws	3	N/A
38		Back Panel	1	N/A
39		Revolt Battery Dock	1	N/A

BREAKDOWN - FRAME ASSEMBLY



ID	PART #	DESCRIPTION	QTY	Aftermarket Part #
39	33-100158	Frame Handle (Only Available As Entire Frame)	1	N/A
40	33-100157	Handle Adjustment Knobs & Bolts	2	N/A
41				
42	33-100155	Axel Nut & Washer	2	N/A
43				
44	TWA12x1.75-1/2	12" Wheels	2	N/A
45	33-100158	Lower Frame (Only Available As Entire Frame)	1	N/A
46	33-100160	Bolts - 1.5"	4	N/A
47	33-100156	Hitch Pin	1	N/A
48	33-100158	Tongue Hitch (Only Available As Entire Frame)	1	N/A
49	N/A	Hose Hoops	2	N/A

PLEASE FOLLOW ALL WARNINGS IN THIS MANUAL, FAILURE TO DO SO COULD RESULT IN PROPERTY DAMAGE & INJURY.



800.825.5397